

Caulk Caddy™: OEM Branding

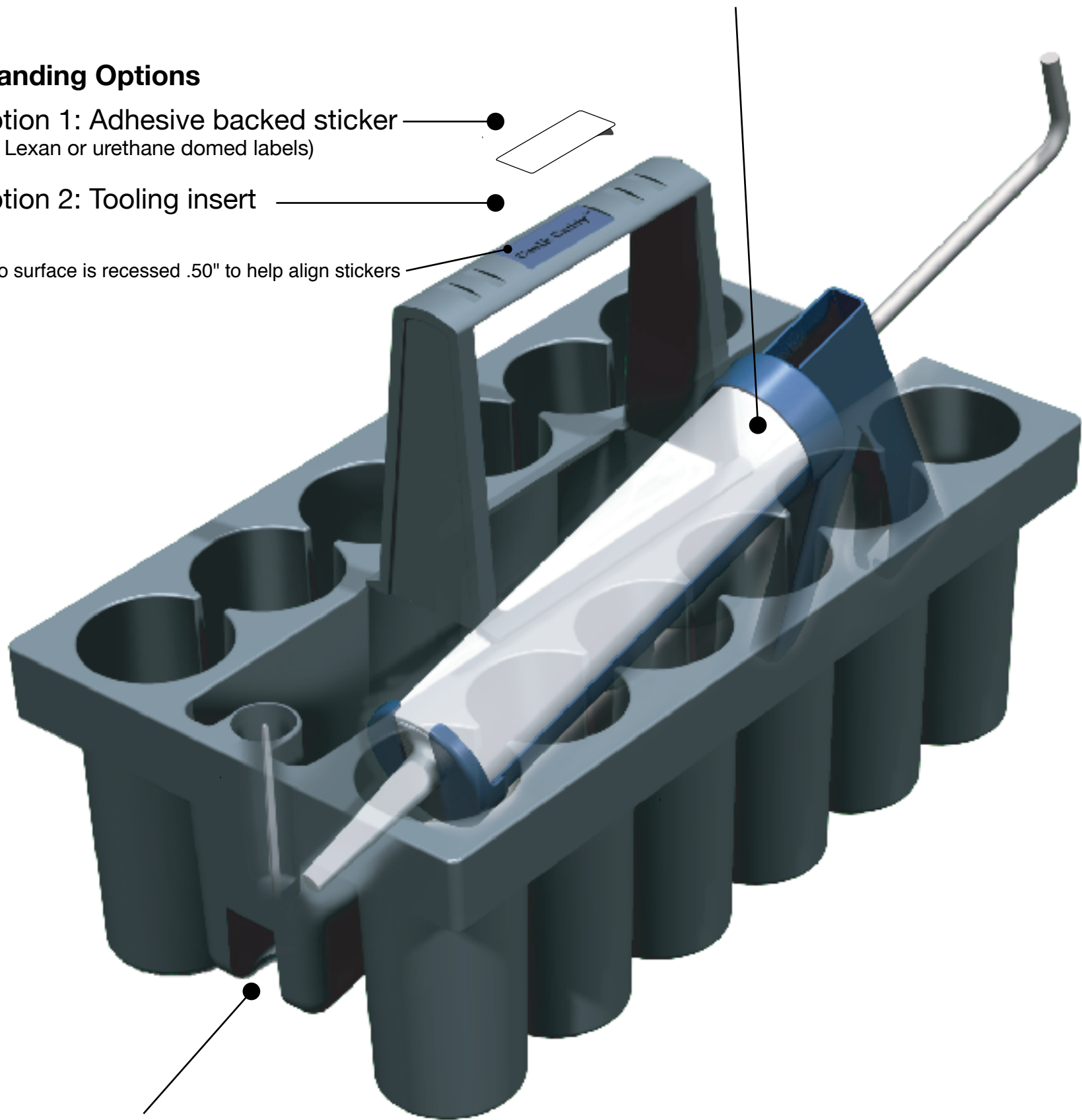
Tote box is designed to be suitable for job site usage: The angle of the caulk gun trough keeps the weight of the cartridge at the bottom and helps to secure the gun in place.

Branding Options

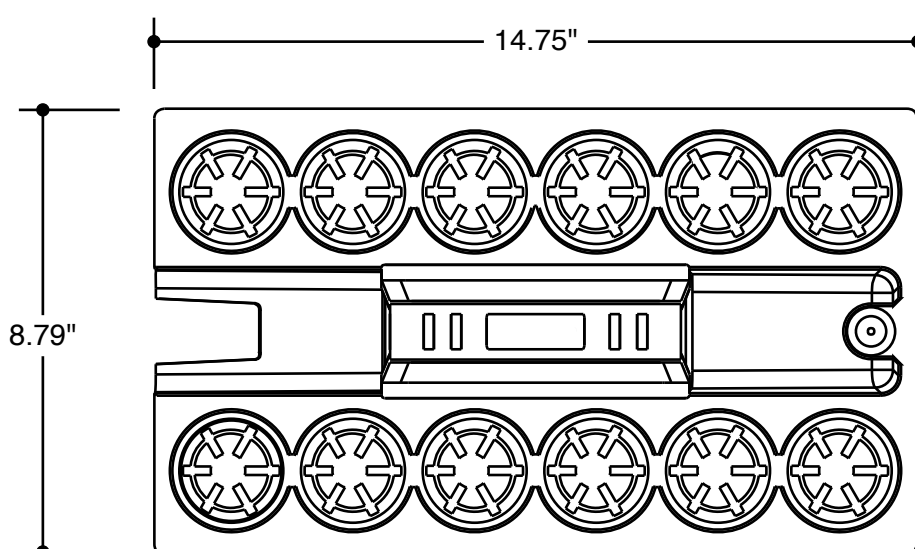
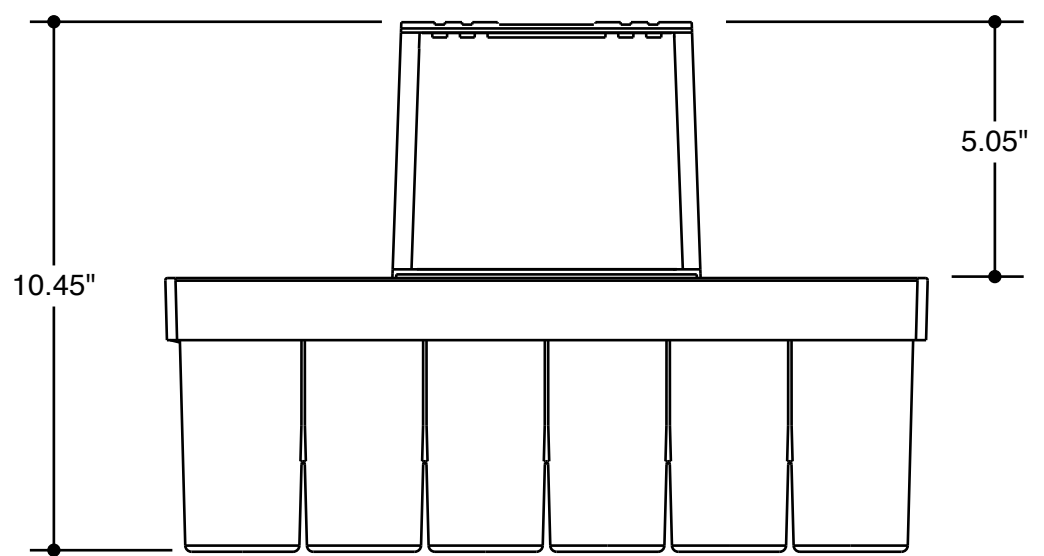
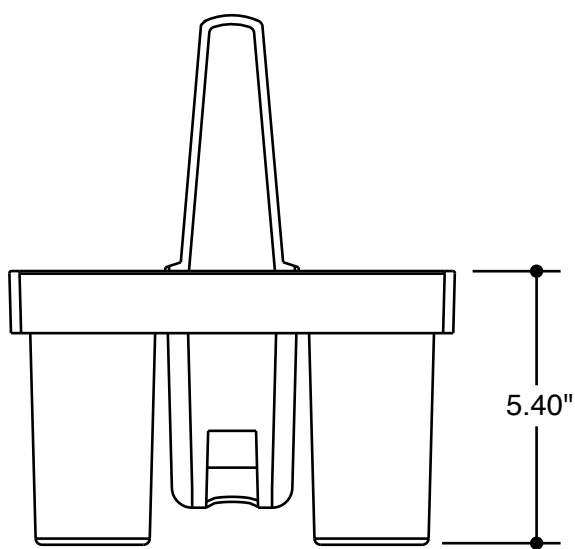
Option 1: Adhesive backed sticker (i.e. Lexan or urethane domed labels)

Option 2: Tooling insert

Logo surface is recessed .50" to help align stickers



Bottom side of puncture tool also allows long tips and tip caps to protrude if needed.



Patent Pending

Conceived and Designed by Thomas Crown
Caulk Caddy™ is a registered trademark

CAD Modeling
Pixelogic Studios