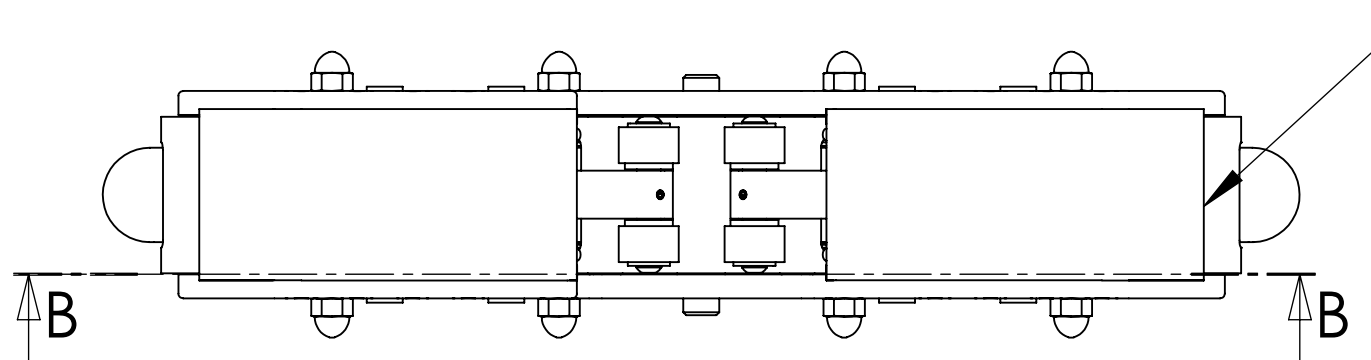
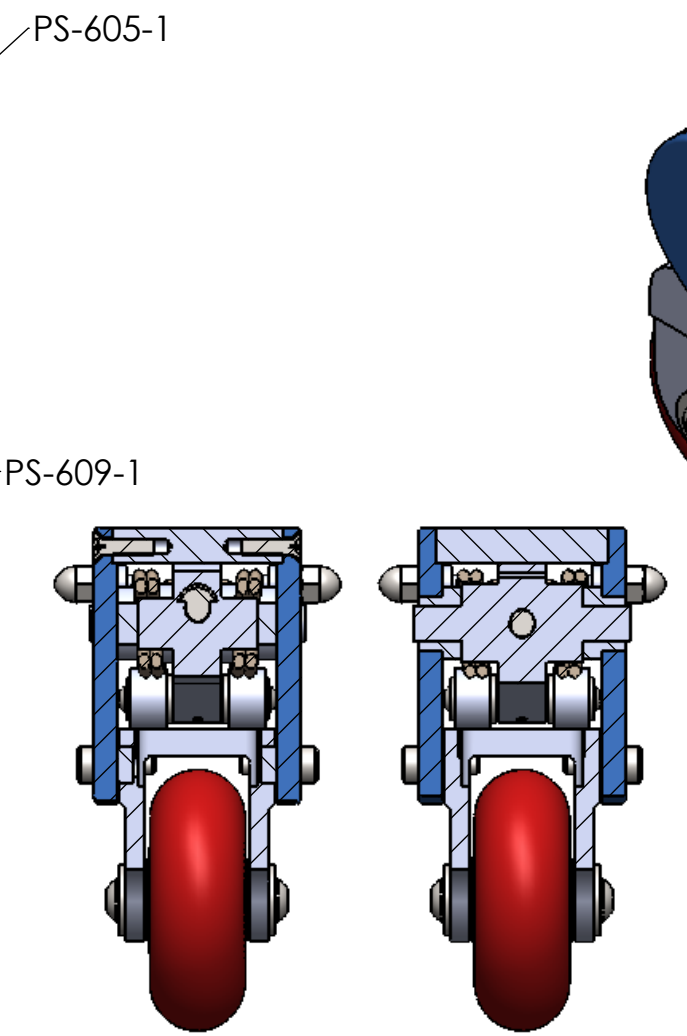


SECTION A-A

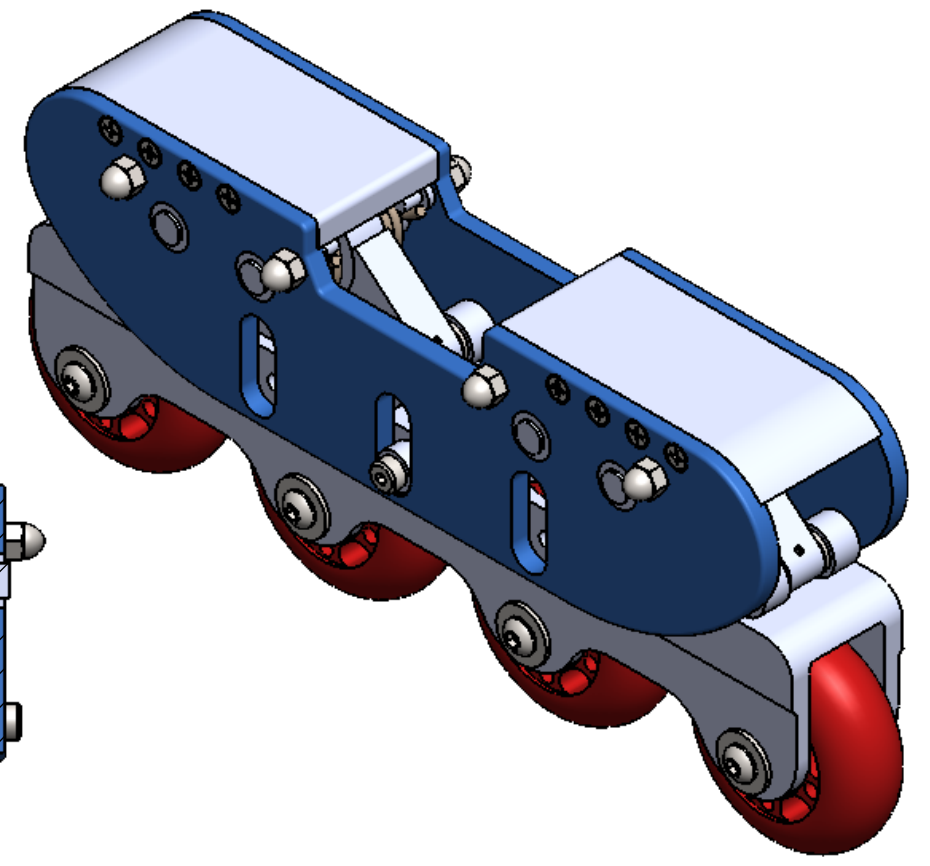


SECTION B-B



SECTION H-H

SECTION C-C



RESOURCE CONCEPTS  
Volker von Detten

THE INFORMATION CONTAINED IN THIS DRAWING IS THE SOLE PROPERTY OF RESOURCE CONCEPTS. ANY REPRODUCTION IN PART OR AS A WHOLE WITHOUT THE WRITTEN PERMISSION OF RESOURCE CONCEPTS IS PROHIBITED.

US Patent# 7374209

Sketch#: PS-600-1 (ref. 0112-skate-assy-high-full)