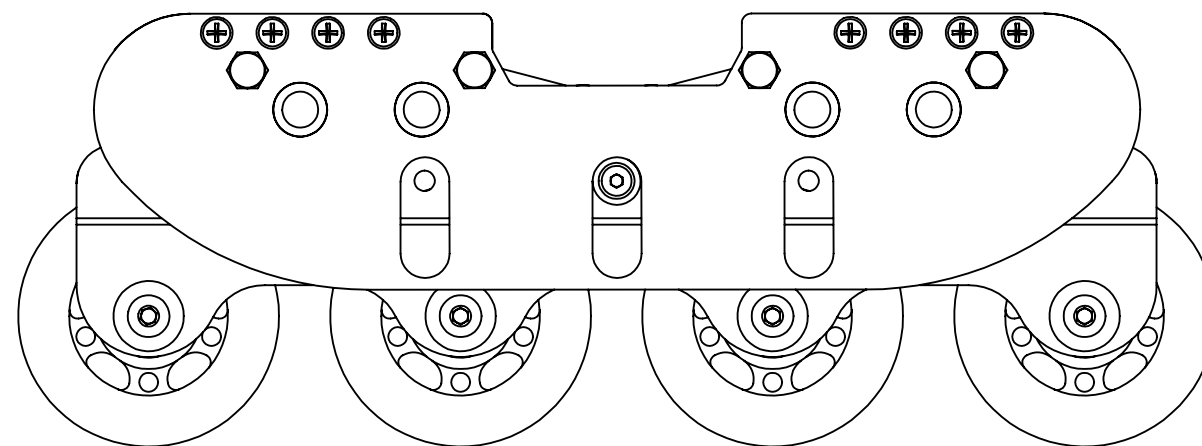
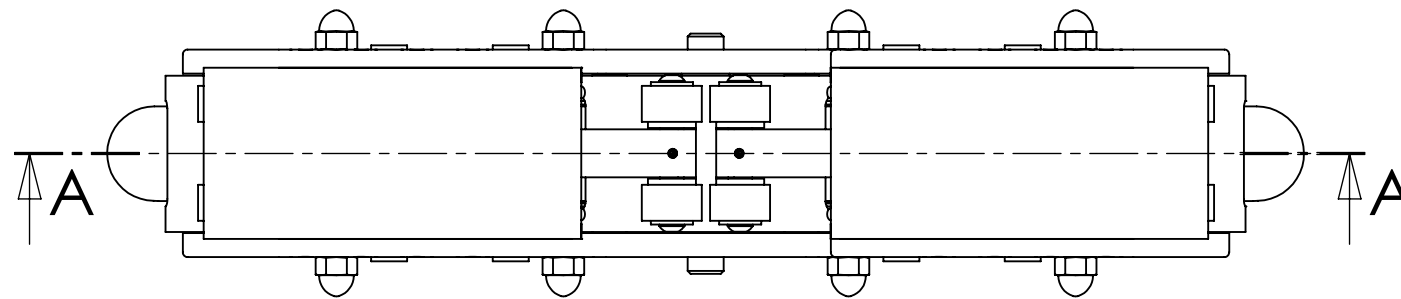


SECTION A-A



Sketch#: PS-601-1-L

RESOURCE CONCEPTS
Volker von Detten

THE INFORMATION CONTAINED IN THIS
DRAWING IS THE SOLE PROPERTY OF
RESOURCE CONCEPTS. ANY
REPRODUCTION IN PART OR AS A WHOLE
WITHOUT THE WRITTEN PERMISSION OF
RESOURCE CONCEPTS IS
PROHIBITED.

US Patent# 7374209